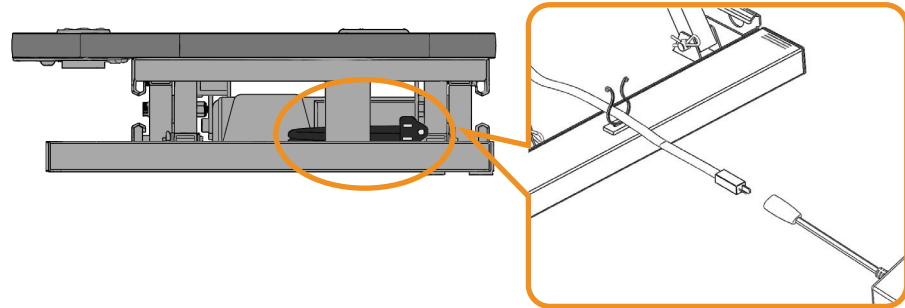




**1** Place your VersaDesk Power Pro on top of your desk.



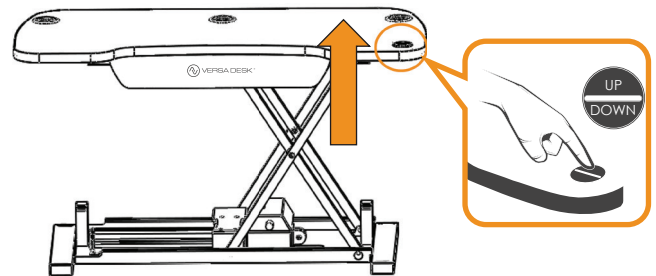
**2** Locate the cable underneath the surface of your desk and connect to the power supply.



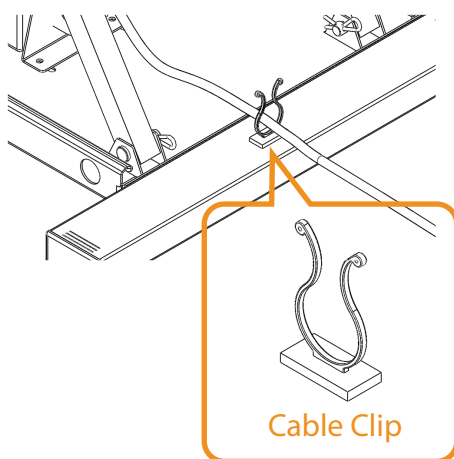
**3** Plug into power outlet.



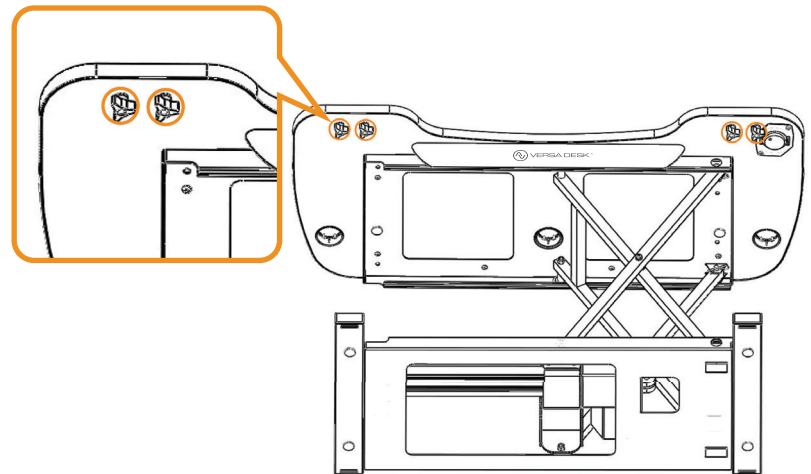
**4** Push the button to raise the surface of your desk riser to the maximum height.



**5** Locate included cable clip and secure wire with clip on base as illustrated.



**6** Locate the 4 thumb screws in plastic bag (the shape of the thumb screws may be different from the diagram).



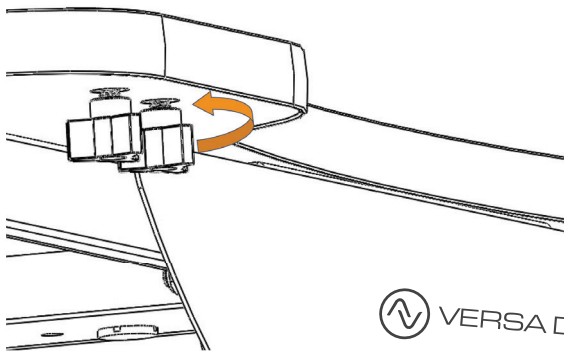
Before raising or lowering your Power Pro Standing Desk Converter make sure that all cords are secured and free from all moving parts.



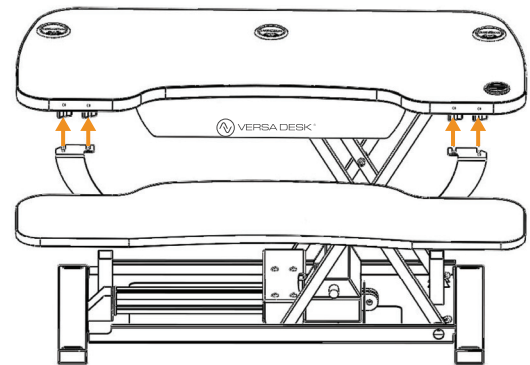
Maximum load of 80 lbs. (36.2 Kg)



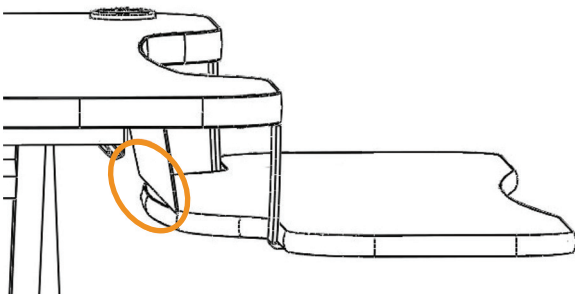
**7** Insert the 4 thumb screws half way leaving a ¼ inch gap between the thumb screw and the bottom of the top surface.



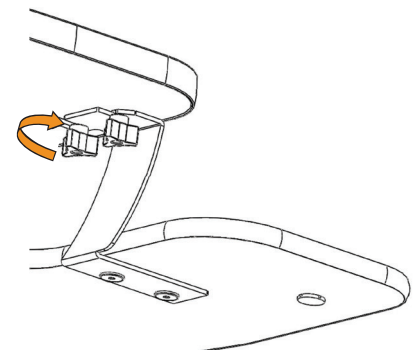
**8** Pick up the keyboard surface. Align the slots on the side brackets to meet the loosened thumb screws on both the left and right sides. Gently slide the keyboard tray brackets into the gap between the thumb screws and the top surface.



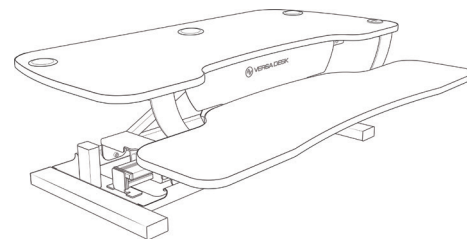
**9** Make sure the keyboard tray is all the way in and the end of the keyboard tray is sitting under the middle bracket.



**10** Secure the side brackets to the top surface by fully tightening all 4 thumb screws.



**11** You're all ready to use your VersaDesk Power Pro!



Before raising or lowering your Power Pro Standing Desk Converter make sure that all cords are secured and free from all moving parts.



Maximum load of 80 lbs. (36.2 Kg)