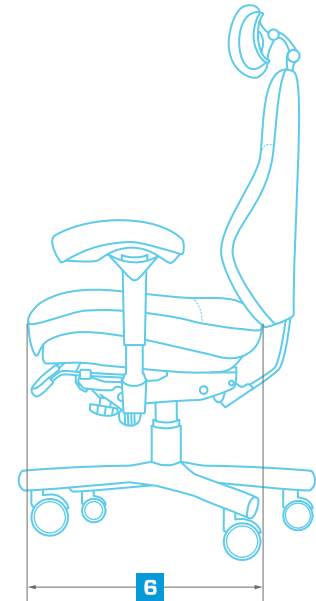
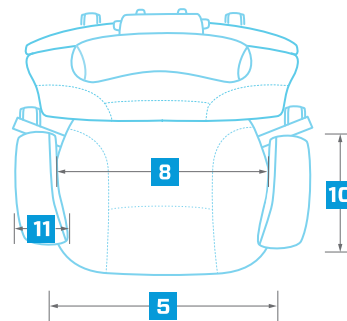
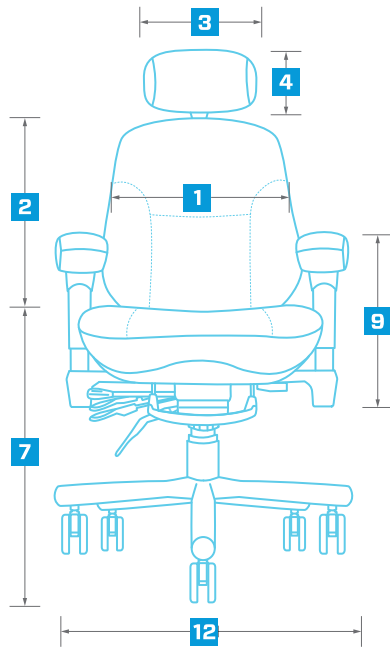


NEXT24 SIZE A



	SPEC DESCRIPTION	MEASUREMENT
1	Backrest Width (shoulder region)	19.00"
	Backrest Width (lumbar region)	23.00"
2	Backrest Height	22.00"
	Backrest Angle Adjustment	15°
	Backrest Height Adjustment	4.00"
	Backrest Depth Adjustment	3.50"
3	Neckroll Width	12.50"
4	Neckroll Height	8.50"
	Neckroll Height Adjustment	3.00"
	Neckroll Depth Adjustment	3.50"
5	Seat Width	21.00"
6	Seat Depth	19.50"
	Seat Depth Adjustment	2.50"

	SPEC DESCRIPTION	MEASUREMENT
7	Seat Height (range)	18.75" - 22.00"
	Seat Height Adjustment	3.25"
	Seat Tilt Adjustment	16°
	Chair Swivel	360°
8	Width Between Armrests (range)	18.50" - 22.50"
9	Armrest Height Adjustment	4.50"
	Armrest Rotation	360°
10	Arm Pad Length	11.00"
11	Arm Pad Width	4.00"
12	Base Diameter	27.00"
	Weight Capacity	300 lbs.

*Specifications are for **I3507** (with headrest) & **I2507** (without headrest) in standard configuration.

NEXT24



DESIGN YOUR CHAIR

NEXT24 - SIZE A		CODE
		SKY-I
STEP 1	SELECT THE BACK	
	High Back without Neckroll	2507X/2508
	High Back with Neckroll	3507X/3508
STEP 2	SELECT THE SEAT CONTOURING	
	Minimal Contouring	7X
	No Contouring	8
STEP 3	SELECT THE CYLINDER	
	Heavy Duty Short (<i>comes standard</i>)	:YHDS
	Heavy Duty	:YHD
	Heavy Duty Tall	:YHDT
STEP 4	SELECT THE BASE	
	6-Star Metal Base - 27" Diameter (<i>comes standard</i>)	:B14
	5-Star Metal Base - 27" Diameter	:B15
STEP 5	SELECT THE CASTERS	
	3" Soft Surface Casters (<i>comes standard</i>)	:C13
	3" Hard Surface Casters	:C23
	2" Chrome Casters	:C7
STEP 6	SELECT THE FABRIC (SEE FABRIC CARDS FOR FABRIC COLOR OPTIONS)	
	Brisa Original	:BRISA - COLOR
	Staccato	:STACCATO - COLOR
STEP 7	SELECT THE FABRIC STITCHING (ON BRISA FABRIC ONLY)	
	None (<i>comes standard</i>)	-
	Double Stitching - Smooth	:S1
	Double Stitching - Gathered	:S2
STEP 8	CUSTOM OPTIONS	
	No Other Options	-
	Customization (<i>any approved modification not listed in options</i>)	:CU