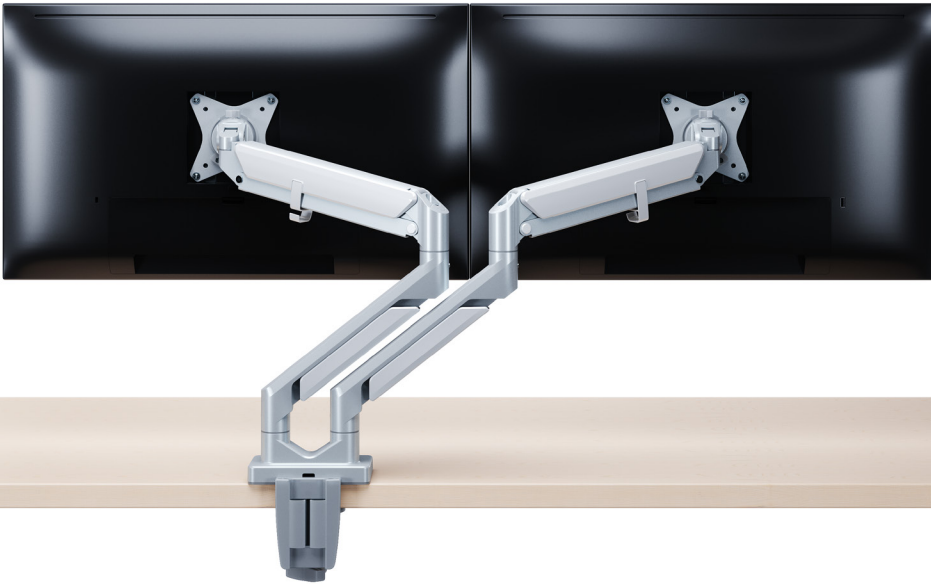


JIBE

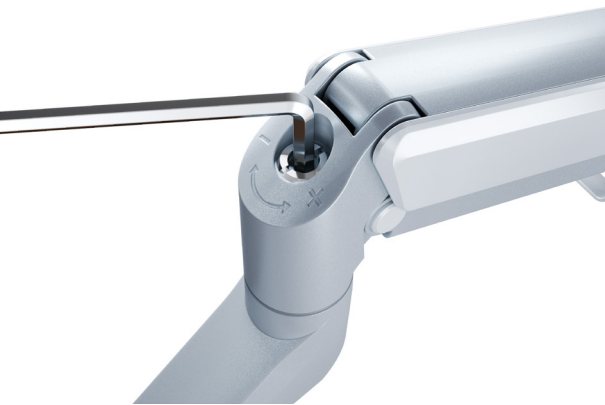
monitor arms





Space Saving Overlap Arm Design

JIBE's unique arm design allows arms to be fully pushed back in while keeping monitors seamlessly positioned side by side



Adjustable Spring Gauge

Use an Allen wrench to fine tune the spring tension of JIBE monitor arm to perfectly counterbalance any monitor weighing between 5-20 lb



Detachable VESA Plate

Allows for quick and simple monitor installation and removal



Optional Powered USB Base

Bring power to your JIBE monitor arm base by integrating two USB 3.0 cables



180 Degree Pivot Limiter

Locks out the rotation of the arm prevention collisions with walls and panels

Specifications

Single arm supports one 5–20 lb monitor
Dual arm supports two monitors 5–20 lb ea
Maximum monitor height: 20.27"
Articulation range: 12.60"
Forward reach: 22.67"
Stowed depth: 3.55"

Monitor:

Tilt: +/- 40 degrees
Pivot: +/- 90 degrees
Rotation: +/- 90 degrees
Standard VESA (75 & 100 mm)
Available in silver, black, & white
Includes c-clamp & grommet mount options
Optional USB kit
GREENGUARD Certified
Warranty: 10 years

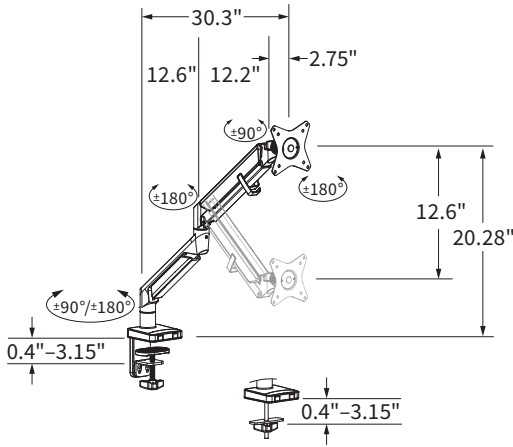


Black

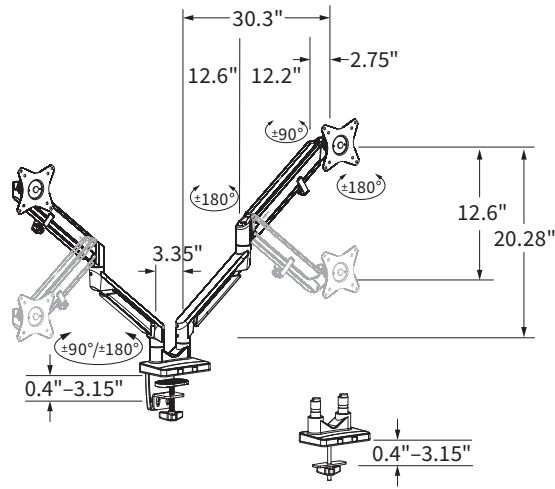
Silver

White

JIBE Single Articulating Arm JIBE-1SDA-CCG-□



JIBE Dual Articulating Arm JIBE-2SDA-CCG-□



JIBE
monitor arms

JIBE Accessories/Replacement Parts

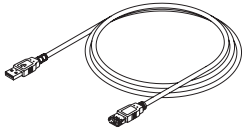
Model #

JIBE USB KIT

Cable length: 10'

JIBE-USB-B

Two USB 3.0 cables per kit

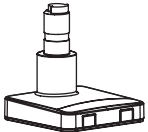


JIBE SINGLE BASE

Colors: **S:** Silver, **B:** Black

JIBE-BASE-SNGL-□

C-clamp & grommet mount
hardware included

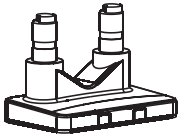


JIBE DUAL BASE

Colors: **S:** Silver, **B:** Black

JIBE-BASE-DUAL-□

C-clamp & grommet mount
hardware included



JIBE CABLE CLIP

Colors: **S:** Silver, **B:** Black, **W:** White

JIBE-CBLCLIP-□



JIBE SINGLE ARTICULATING ARM (NO BASE)

Colors: **S:** Silver, **B:** Black, **W:** White

JIBE-1SDA-□

