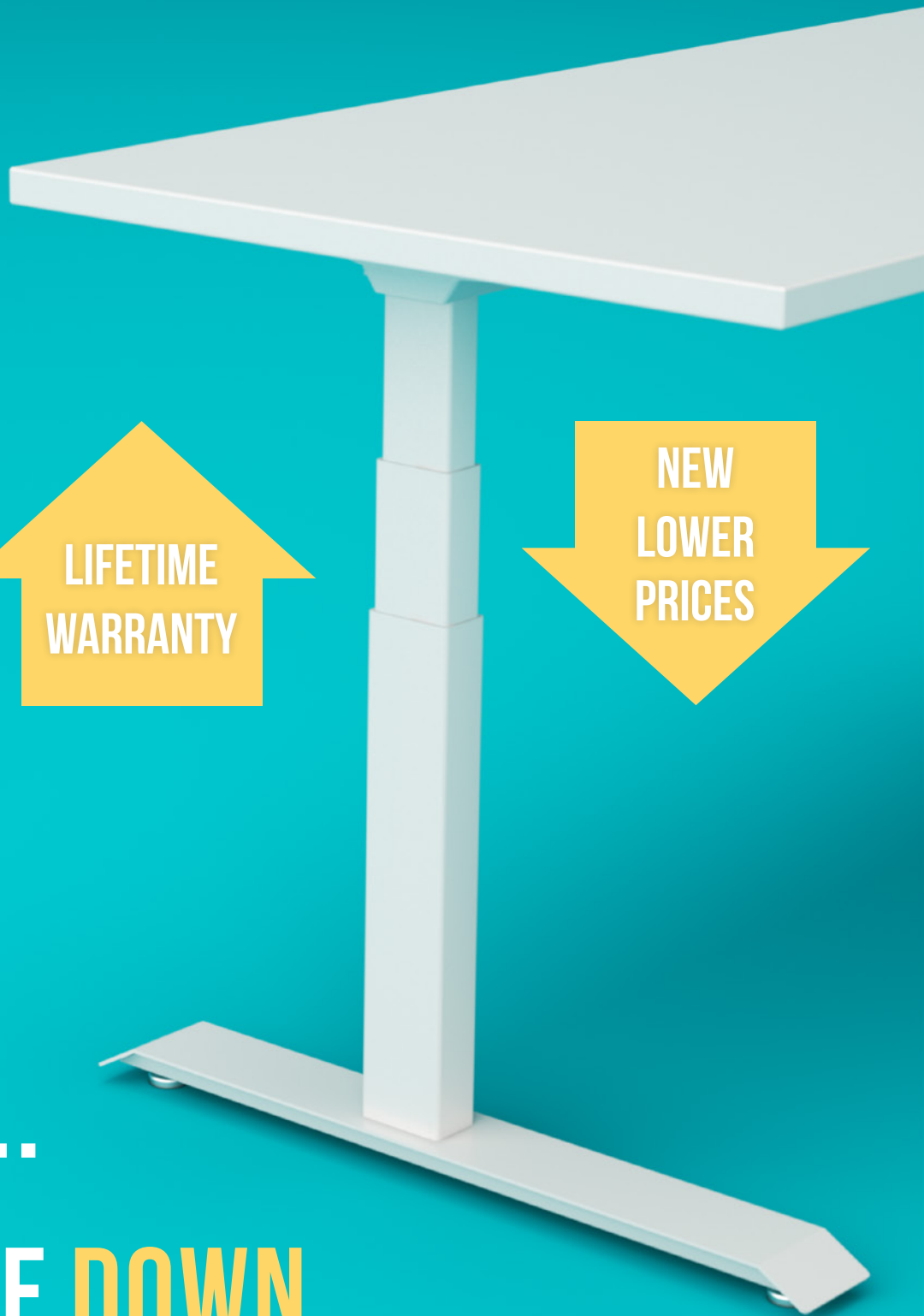


Workrite
ergonomics®



WHAT
GOES UP...

JUST CAME DOWN.

Sierra HX Worldclass Sit Stand Desk

For more info, contact us at workriteergo.com or 800.959.9675

SIT-STAND WORKCENTERS

SIERRA HX

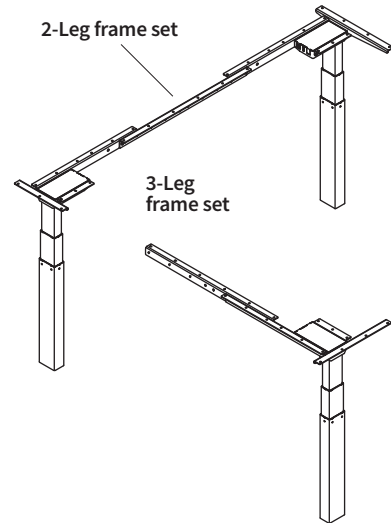


Sierra HX Electric Base Set

All Sierra HX Electric Base Sets include a Frame Set (legs, brackets, motor(s) and cables) as well as your choice of Foot and Switch. Workrite Sierra HX is the foundation for the most innovative adjustable height workcenter for today's professional workplace. The Frame Sets feature high quality, European engineering and design and meet BIFMA G1-2013 height adjustability requirements. They can handle payloads of 225–300 pounds, and features hidden crossbar design that provides greater knee clearance for the user. Sierra HX Frame Sets are available in three finishes with the widest range of size configurations and feature options, making it the most versatile workcenter in the Workrite portfolio.

Frame Set specifications:

- Frame options: 2-leg and 3-leg frames
- Compatible with 24" or 30" deep worksurfaces
- Widths from 34" to 84" depending on shape
- Finish options: silver, black, and white
- Height range: 22.5" to 48.7" for full BIFMA G1-2013 compliance
- Payload capacity: 225 pounds for 2-leg models
300 pounds for 3-leg models
- Travel speed: 1.6 inches per second
- Max power draw: 120 V, 60 Hz, 4.25 A (2-leg) 3.3 A (3-leg)
- Standby power: 0.1 W
- Meets BIFMA X5.5 standards for performance and durability
- Workrite Sierra HX Base Set has achieved GREENGUARD GOLD Certification
- UL962 Certified when paired with Workrite worksurface



Included with Base Set:

- Foot options: Styled Foot Kit
Flat Foot Kit
- Control options: Standard Switch
Programmable Switch
Bluetooth Switch



Options sold separately:

- Laminated Worksurfaces: Any laminate and edge treatment in the Workrite program
- Workrite Base Sets can also be used with existing worksurfaces or new worksurfaces from other manufacturers

Frame Set dimensions

