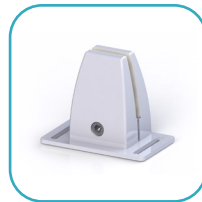


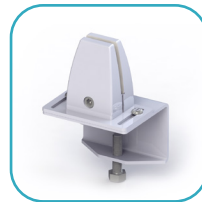
rightangle™ ACRYLIC SHIELDS

RightAngle™ Acrylic Shields are a modern solution to create barriers, provide privacy, and promote wellness.

- 3/16" thick acrylic, available in **Clear** or **Frosted**
- Multiple sizes available to fit your needs:
 - Shields are all **23.2"** tall (24" total height with mounting brackets)
 - Fits worksurface depths of **24"** or **30"**
 - Fits worksurface widths of **36"**, **42"**, **48"**, **60"**, **66"** or **72"**
 - Contact Customer Service for **custom sizes** at additional charge, with minimum order (sizes up to 23.2" tall and 97" wide).
- **Bacteria and moisture resistant.** Easily disinfected without affecting quality (when following cleaning guidelines on our website).
- **Easy installation** - will work with most worksurfaces
- **Corner Support Clips** are included for added stability
- Each shield requires a minimum of 2 **mounting brackets** (brackets purchased separately; 54" and wider require 3 mounting brackets)



Surface Mounting Bracket (with screws & 2-sided adhesive)



Adjustable Clamp Mounting Bracket



Cubicle Panel Mounting Bracket



Free Standing Mounting Bracket

- Visit raproducts.com/acrylicshields.php for full product details

GSA Contract Holder
Contract #GS-28F-0035M | SIN #33721

2020 LIST PRICES

orders@raproducts.com
800.298.4351

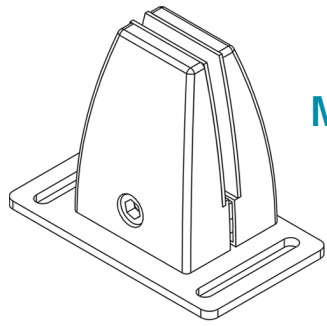
Model #	Size of Worksurface	ACRYLIC SHIELDS	
XPSSP2424_	24" D	23.2" x 23" Side Panel	\$180
XPSSP2430_	30" D	23.2" x 29" Side Panel	\$225
XPSBP2436_	36" W	23.2" x 33.5" Back Panel	\$280
XPSBP2442_	42" W	23.2" x 39.5" Back Panel	\$349
XPSBP2448_	48" W	23.2" x 45.5" Back Panel	\$353
XPSBP2460_	60" W	23.2" x 57.5" Back Panel	\$441
XPSBP2466_	66" W	23.2" x 63.5" Back Panel	\$519
XPSBP2472_	72" W	23.2" x 69.5" Back Panel	\$529

Model #	MOUNTING BRACKETS	
XPSSMKS	Surface Mounting Bracket	\$29
XPSCMKS	Adjustable Clamp Mounting Bracket	\$39
XPSFSKS	Free Standing Mounting Bracket	\$39
XPSCPKS	Cubicle Panel Mounting Bracket	\$45



SHIPPING INCLUDED

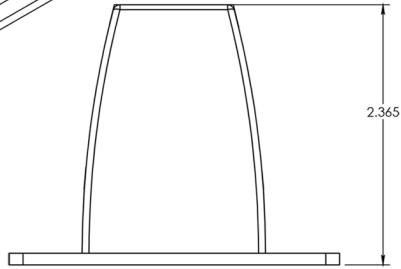
Add F (Frosted) or C (Clear) at the end of Model # to specify finish. Corner Support Clips included.



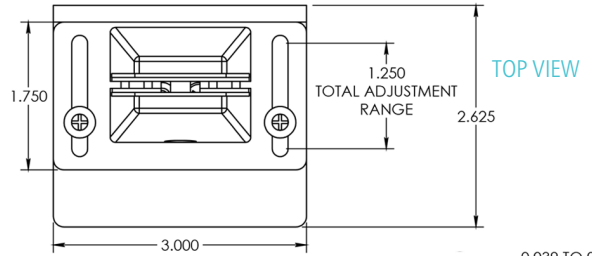
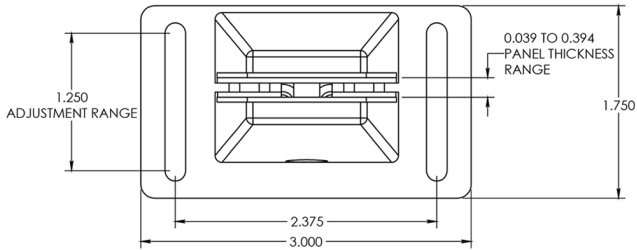
Surface Mounting Bracket

XPSSMKS

SIDE VIEW



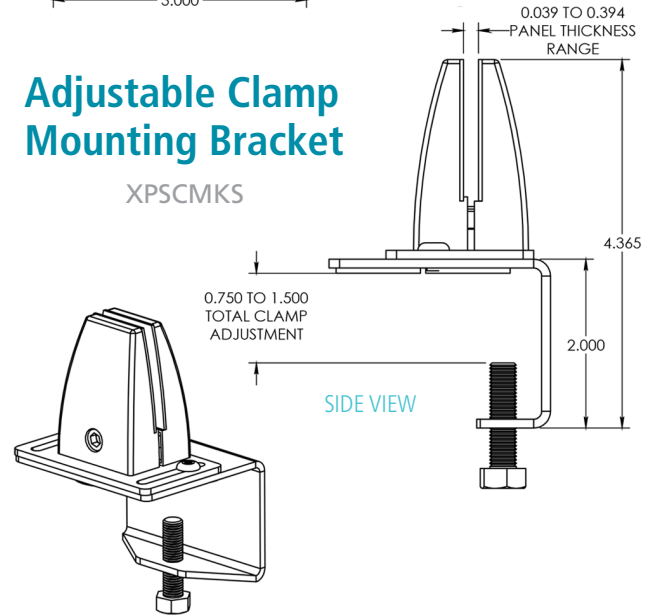
TOP VIEW



Adjustable Clamp Mounting Bracket

XPSCMKS

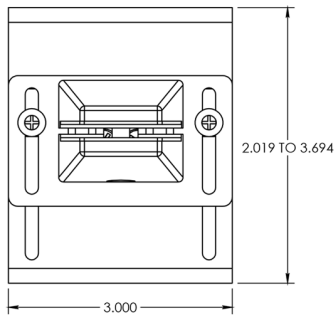
SIDE VIEW



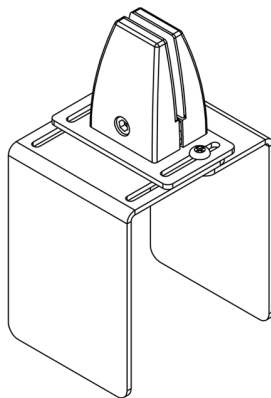
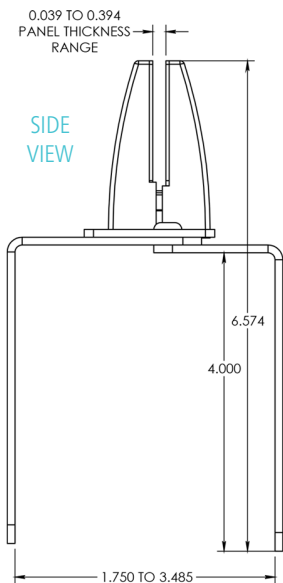
Cubicle Panel Mounting Bracket

XPSCPKS

TOP VIEW



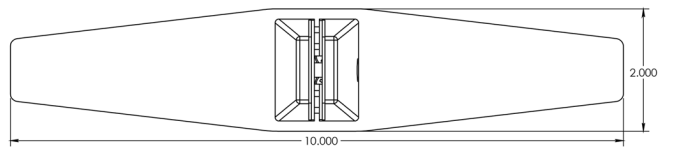
SIDE VIEW



Free Standing Mounting Bracket

XPSFSKS

TOP VIEW



SIDE VIEW

