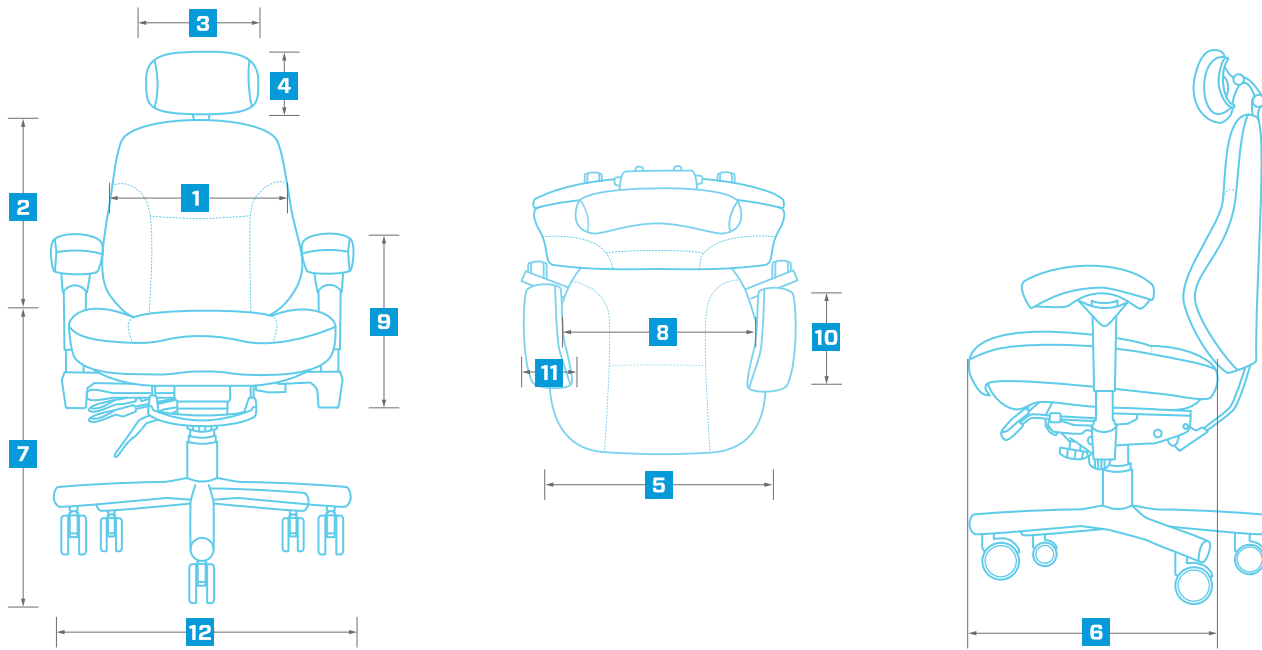


## NEXT24 SIZE B



	SPEC DESCRIPTION	MEASUREMENT
1	Backrest Width (shoulder region)	19.00"
	Backrest Width (lumbar region)	23.00"
2	Backrest Height	22.00"
	Backrest Angle Adjustment	15°
	Backrest Height Adjustment	4.00"
	Backrest Depth Adjustment	3.50"
3	Neckroll Width	12.50"
4	Neckroll Height	8.50"
	Neckroll Height Adjustment	3.00"
	Neckroll Depth Adjustment	3.50"
5	Seat Width	23.00"
6	Seat Depth	23.00"
	Seat Depth Adjustment	2.50"

	SPEC DESCRIPTION	MEASUREMENT
7	Seat Height (range)	19.25" - 22.50"
	Seat Height Adjustment	3.25"
	Seat Tilt Adjustment	16°
	Chair Swivel	360°
8	Width Between Armrests (range)	20.50" - 24.50"
9	Armrest Height Adjustment	4.50"
	Armrest Rotation	360°
10	Arm Pad Length	11.00"
11	Arm Pad Width	4.00"
12	Base Diameter	27.00"
	Weight Capacity	300 lbs.

\*Specifications are for **13509** (with headrest) & **12509** (without headrest) in standard configuration.

## NEXT24



### DESIGN YOUR CHAIR

		CODE
<b>NEXT24 - SIZE B</b>		SKY-I
<b>STEP 1</b>	<b>SELECT THE BACK</b>	
	High Back without Neckroll	2509
	High Back with Neckroll	3509
<b>STEP 2</b>	<b>SELECT THE CYLINDER</b>	
	Heavy Duty Short	:YHDS
	Heavy Duty ( <i>comes standard</i> )	:YHD
	Heavy Duty Tall	:YHDT
<b>STEP 3</b>	<b>SELECT THE BASE</b>	
	6-Star Metal Base - 27" Diameter ( <i>comes standard</i> )	:B14
	5-Star Metal Base - 27" Diameter	:B15
<b>STEP 4</b>	<b>SELECT THE CASTERS</b>	
	3" Soft Surface Casters ( <i>comes standard</i> )	:C13
	3" Hard Surface Casters	:C23
	2" Chrome Casters	:C7
<b>STEP 5</b>	<b>SELECT THE FABRIC (SEE FABRIC CARDS FOR FABRIC COLOR OPTIONS)</b>	
	Brisa Original	:BRISA - COLOR
	Staccato	:STACCATO - COLOR
<b>STEP 6</b>	<b>SELECT THE FABRIC STITCHING (ON BRISA FABRIC ONLY)</b>	
	None ( <i>comes standard</i> )	-
	Double Stitching - Smooth	:S1
	Double Stitching - Gathered	:S2
<b>STEP 7</b>	<b>CUSTOM OPTIONS</b>	
	No Other Options	-
	Customization ( <i>any approved modification not listed in options</i> )	:CU