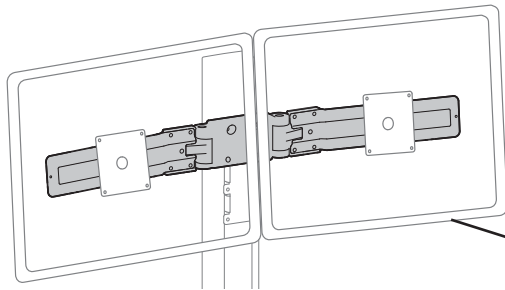
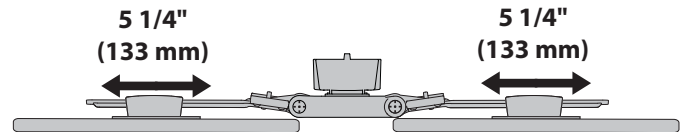
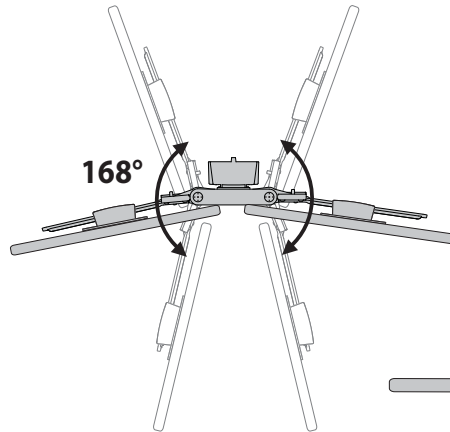
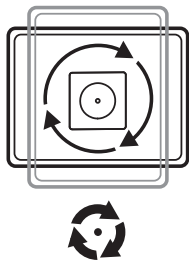


# WorkFit Dual Hinge Bow Accessory



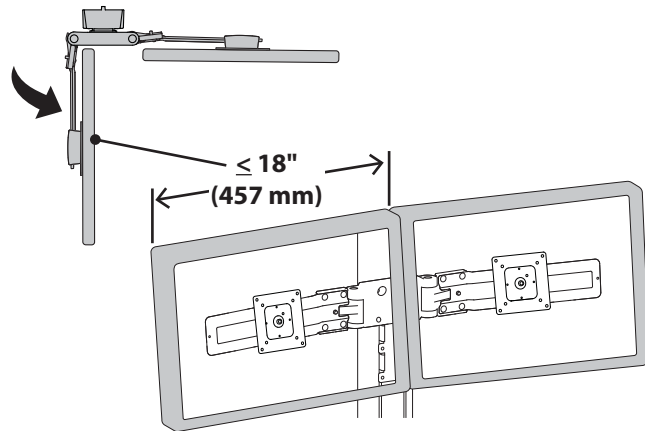
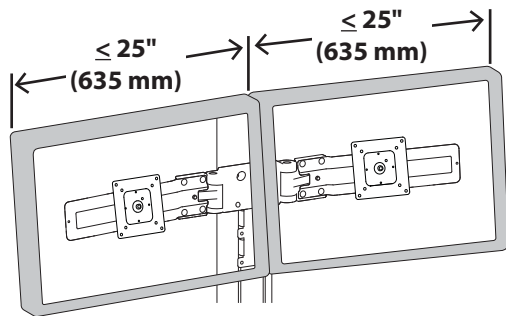
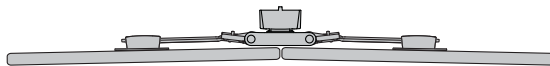
6 lbs. - 14 lbs.  
(2.72 kg - 6.35 kg)

## Range of Motion:

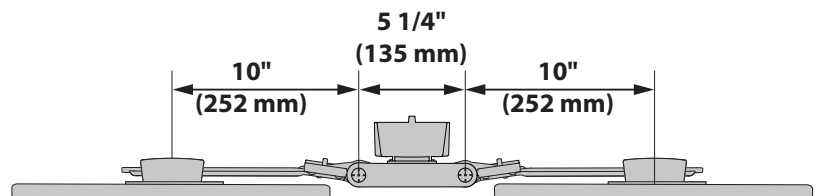
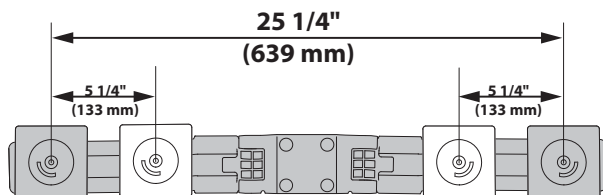


This product is intended for use with most WorkFit Dual Workstations. It is NOT compatible with WorkFit-C, WorkFit-LX, WorkFit-SR, WorkFit-D and WorkFit-DL products. When attaching to WorkFit-T, WorkFit-TL or WorkFit-PD products, an accessory dual-monitor riser kit must be in place (pt # 97-904, 97-907, 97-933-062 or 97-934-062)

## Maximum Monitor Width:



## Dimensions:



### Americas Sales and Corporate Headquarters

St. Paul, MN USA  
(800) 888-8458  
+1-651-681-7600  
www.ergotron.com  
sales@ergotron.com

### EMEA Sales

Amersfoort, The Netherlands  
+31 33 45 45 600  
www.ergotron.com  
info.eu@ergotron.com

### APAC Sales

Tokyo, Japan  
www.ergotron.com  
japansupport@ergotron.com

### Worldwide OEM Sales

www.ergotron.com  
info.oem@ergotron.com